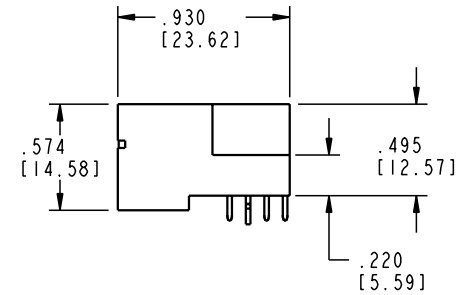
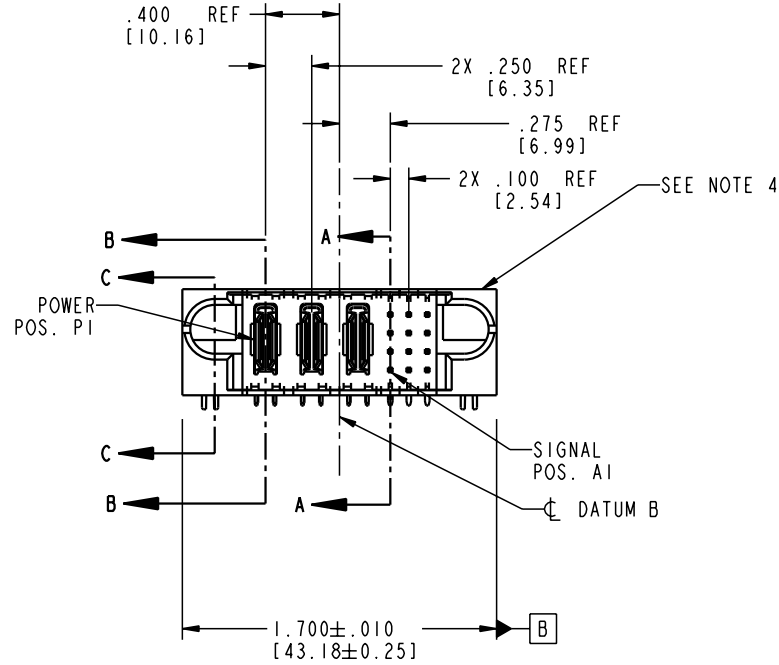
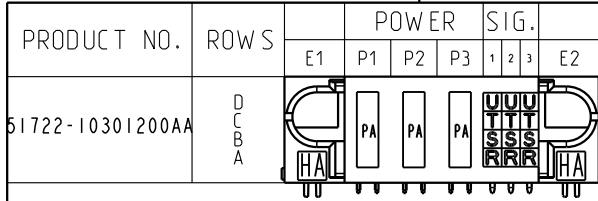


Tous droits strictement réservés. Reproduction ou communication à des tiers interdite sous quelque forme que ce soit sans autorisation écrite du propriétaire. Propriété de c FCI. Droits de reproduction FCI.

FCI

All rights strictly reserved. Reproduction or issue to third parties in any form whatever is not permitted without written authority from the proprietor. Property of FCI. Copyright FCI.



CODE	DIM "M" MATING LENGTH	CONTACT TYPE
U	.270 [6.86]	SIGNAL
T	.270 [6.86]	SIGNAL
S	.270 [6.86]	SIGNAL
R	.270 [6.86]	SIGNAL
PA	N/A [N/A]	POWER
HA	N/A [N/A]	HOLD-DOWN

mat'l code		SEE NOTE 2		tolerances unless otherwise specified		CUSTOMER		FCI www.fciconnect.com	
lfr	ecn no.	dr	date	linear	.XX±.01/0.XX±0.3	COPY		title	
A	V03-0704	MEM	6/24/03	angles	.XXX±.005/0.XX±0.13	projection		3P + 12S	
					.XXXX±.0020/0.XXX±0.051	INCH/MM		RIGHT ANGLE SOLDER HEADER	
				dr	0°±2°	scale		product family	
				engr	M. MOSTOLLER 6/24/03	1:1		PwrBlade	
				chr	M. MOSTOLLER 6/24/03			code	
				appd	H. BREWBAKER 6/24/03			213	
					M. MOSTOLLER 6/24/03			sheet	
sheet index	revision	A	A	A	A			1 of 4	
	sheet	1	2	3	4				

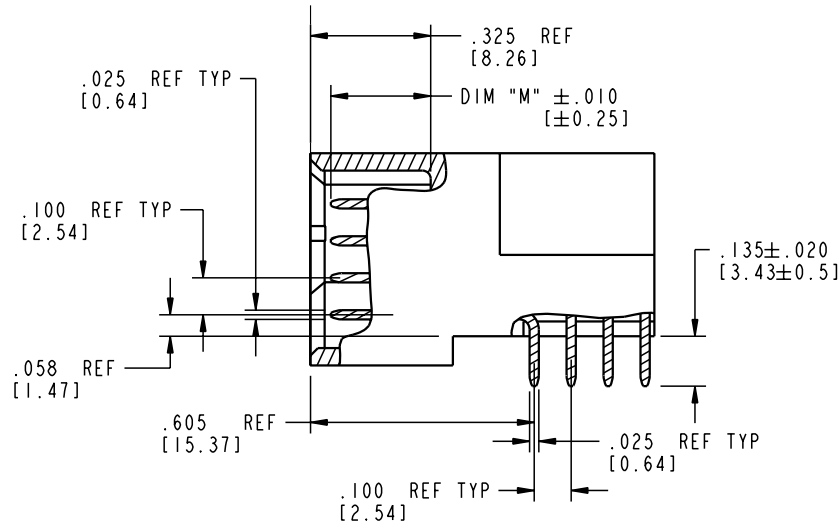
Pro/E

cage code 22526

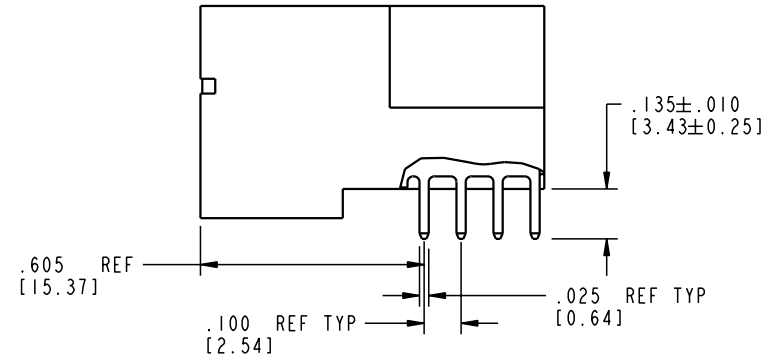
Tous droits strictement réservés. Reproduction ou communication à des tiers interdite sous quelque forme que ce soit sans autorisation écrite du propriétaire. Propriété de c FCI. Droits de reproduction FCI.

All rights strictly reserved. Reproduction or issue to third parties in any form whatever is not permitted without written authority from the proprietor. Property of FCI. Copyright FCI.

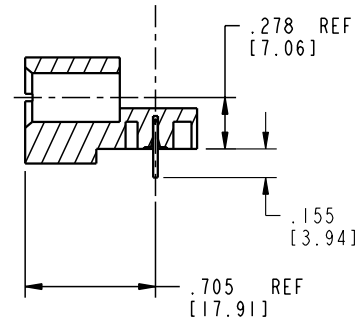
PRODUCT NUMBER
51722-10301200AA




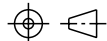
BROKEN-OUT SECTION A-A
SCALE 2:1



BROKEN-OUT SECTION B-B
SCALE 2:1



SECTION C-C

mat'l code		SEE NOTE 2	tolerances unless otherwise specified		CUSTOMER	 www.fciconnect.com	
lfr	ecn no.	dr	date	linear	COPY	title	
A				.XX±.01/0.XX±0.3	projection	3P + 12S	
				.XXX±.005/0.XX±0.13		RIGHT ANGLE SOLDER HEADER	
				.XXX±.0020/0.XXX±0.051	INCH/MM	product family	PwrBlade
				0 ± 2°	scale	size	code
				dr M. MOSTOLLER 6/24/03	1:1	dwg no	213
				enrg M. MOSTOLLER 6/24/03		51722-10301200AA	
				chr H. BREWBAKER 6/24/03		sheet	2 of 4
				appd M. MOSTOLLER 6/24/03		sheet	2 of 4
sheet index	revision sheet						

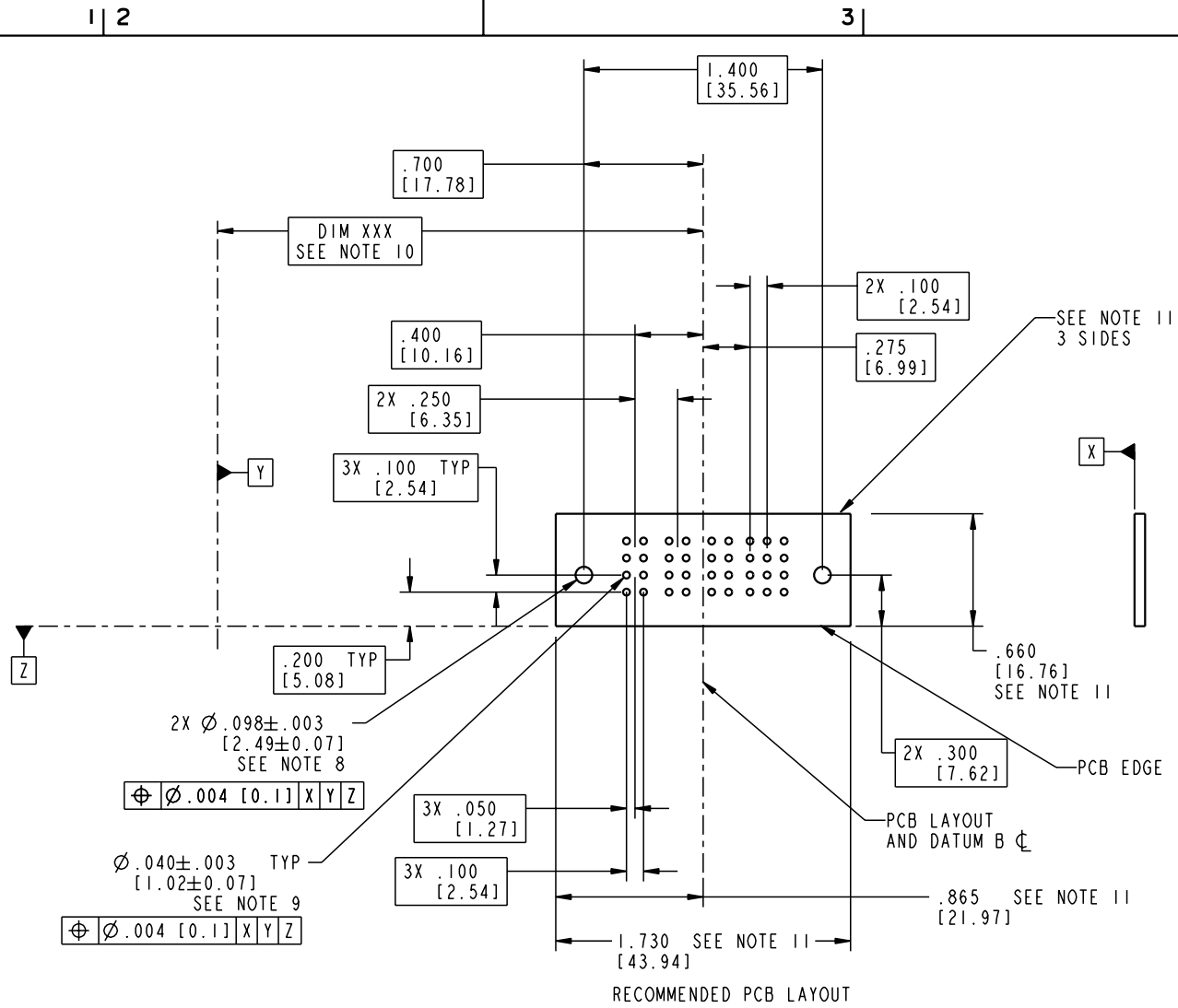
cage code 22526

Pro/E

Tous droits strictement réservés. Reproduction ou communication à des tiers interdite sous quelque forme que ce soit sans autorisation écrite du propriétaire. Propriété de c FCI. Droits de reproduction FCI.

All rights strictly reserved. Reproduction or issue to third parties in any form whatever is not permitted without written authority from the proprietor. Property of FCI. Copyright FCI.

PRODUCT NUMBER
51722-10301200AA



mat'l code		SEE NOTE 2		tolerances unless otherwise specified		CUSTOMER		 www.fciconnect.com	
ltr	ecn no.	dr	date	linear	.XX±.01/0.X±0.3	COPY		title	
A				projection	.XXX±.005/0.XX±0.13			3P + 12S	
				angles	.XXX±.0020/0.XXX±0.051			RIGHT ANGLE SOLDER HEADER	
				dr	0°±2°	product family		PwrBlade	
				engr	M. MOSTOLLER 6/24/03	size		code	
				chr	M. MOSTOLLER 6/24/03	dwg no		213	
				appd	H. BREWBAKER 6/24/03	scale		sheet	
					M. MOSTOLLER 6/24/03	1:1		3 of 4	
sheet index	revision sheet					A		51722-10301200AA	

cage code 22526

Pro/E

PRODUCT NUMBER
51722-10301200AA

NOTES:

1. DIMENSIONS AND TOLERANCES ARE IN ACCORDANCE WITH ASME Y14.5M, 1994 UNLESS OTHERWISE SPECIFIED.

CONNECTOR NOTES:

- 2. HOUSING MATERIAL: UL 94 V-0 GLASS FILLED
HIGH-TEMP THERMOPLASTIC
POWER CONTACT MATERIAL: COPPER ALLOY
SIGNAL PIN MATERIAL: COPPER ALLOY
- 3. PLATING:
SIGNAL PINS: 30u"/0.76um Au OVER 50u"/1.27um Ni
POWER CONTACTS: 50u"/1.27um Ni UNDER ALL
WITH 30u"/0.76um Au ON CONTACT AREA
AND SnPb ON PCB INTERFACE
- 4. MANUFACTURER'S NAME, P/N, AND DATE CODE TO APPEAR ON THIS SURFACE.
- 5. PRODUCT SPECIFICATION GS-12-149.
APPLICATION SPECIFICATION BUS-20-067.
- 6. PACKAGED IN TRAYS.
- PCB NOTES:
- 7. ALL HOLE DIAMETERS ARE FINISHED HOLE SIZE.
- 8. MOUNTING HOLES, WHERE APPLICABLE, ARE UNPLATED.
- 9. $\varnothing .0453 \pm .0010$ [1.151 ± 0.025] DRILLED HOLES PLATED WITH
.0003 [0.008] MIN SnPb OVER .001 [0.03]
TO .003 [0.08] Cu PLATING TO ACHIEVE
 $\varnothing .040 \pm .003$ [1.02 ± .07] HOLE.
- 10. "DIM XXX" TO BE DETERMINED BY THE CUSTOMER.
- 11. CONNECTOR KEEP-OUT ZONE.

Tous droits strictement reserves. Reproduction ou communication a des tiers interdite sous quelque forme que ce soit sans autorisation écrite du propriétaire. Propriete de c FCI. Droits de reproduction FCI.

A

A



All rights strictly reserved. Reproduction or issue to third parties in any form whatever is not permitted without written authority from the proprietor. Property of FCI. Copyright FCI.

B

B

mat'l code		SEE NOTE 2		tolerances unless otherwise specified		CUSTOMER		 www.fciconnect.com	
ltr	ecn no.	dr	date	linear	.XX±.01/0.X±0.3	COPY		title	
A				linear	.XXX±.005/0.XX±0.13	projection		3P + 12S	
				angles	.XXX±.0020/0.XXX±0.051			RIGHT ANGLE SOLDER HEADER	
				dr	0° ± 2°	INCH/MM		product family	
				engr	M. MOSTOLLER 6/24/03	scale		PwrBlade	
				chr	M. MOSTOLLER 6/24/03	1:1		code	
				appd	H. BREWBAKER 6/24/03	A		213	
					M. MOSTOLLER 6/24/03	size		sheet	
						A		4 of 4	
sheet index	revision sheet					51722-10301200AA			